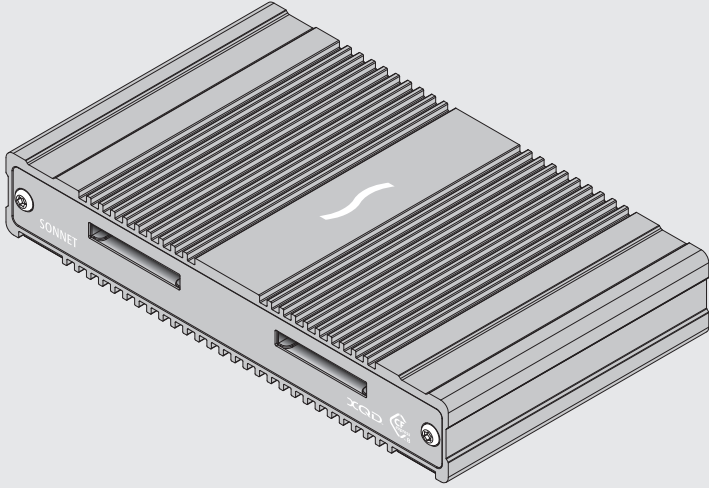




# Quick Start Guide

## for SF3™ Series – CFexpress™ / XQD™ Pro Card Reader



### Mac® Compatibility

- Mac with Thunderbolt 3 ports
- Mac with a Thunderbolt 2 port, via an Apple Thunderbolt 3 (USB-C) to Thunderbolt 2 Adapter, plus a Thunderbolt cable (both sold separately)
- macOS® 10.12.6+
- macOS Catalina compatible

### Windows® Compatibility

- Computer with Thunderbolt 3 ports
- Windows 10 (64-bit Edition Version 1809 or greater)

### CFexpress Media Compatibility

- All CFexpress 2.0 Type B cards

### XQD Media Compatibility

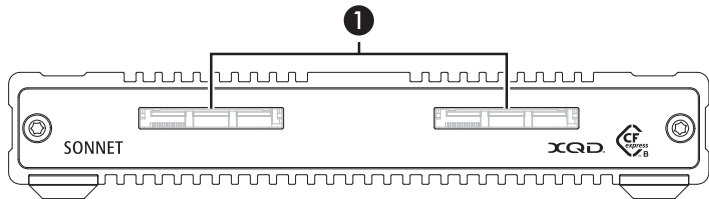
- All XQD cards



**Support Note:** This document was up to date at the time of printing. Please check the Sonnet website for the latest documentation.

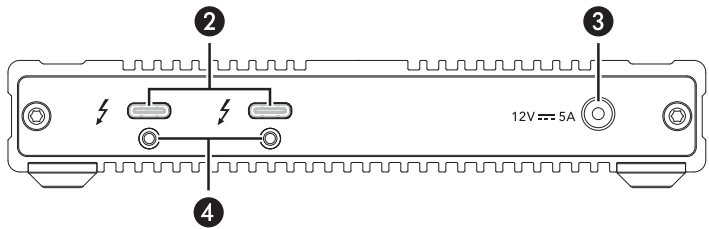
1. Go to [www.sonnettech.com/support/](http://www.sonnettech.com/support/)
2. Click the Downloads, Manuals, FAQs link.
3. Click the Pro Media Readers link.
4. Click the SF3 Series - CFexpress / XQD Pro Card Reader link, and then click the Manual link.
5. Click the SF3 Series - CFexpress / XQD Pro Card Reader QSG [English] link and then check the Document Version information. If the version listed is later than this document (**revision A**), click the Download Now button for the latest version.

### Card Reader Description



#### 1 – Card Slots

Both slots accept CFexpress 2.0 Type B cards and XQD cards.



#### 2 – Thunderbolt 3 Connectors

Connect the included Thunderbolt cable between either of these ports and your computer's (or intermediate peripheral device's) Thunderbolt port; the open port may be used to connect another Thunderbolt peripheral device.

#### 3 – 12V, 5A Socket

Connect the included DC power adapter to this connector.

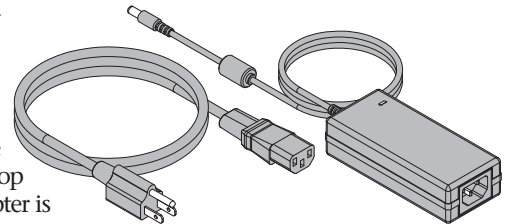
#### 4 – Threaded Nuts for ThunderLok 3

Attach the included Thunderbolt connector retainer clip here. Also compatible with ThunderLok 3L.

### Additional Package Contents Description

#### Power Adapter and Power Cord

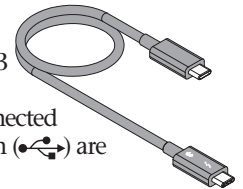
Connect the power adapter to Sonnet card reader's 12V socket. Note that the power indicator on top panel lights when the adapter is connected to AC power.



Connect the power cord between a power outlet and the power adapter. Note that the power cord included with your product may appear different than the one pictured here, depending on where the product was purchased.

#### Thunderbolt 3 (40Gbps) Cable

Connect this cable between the Sonnet card reader and one of your computer's Thunderbolt 3 ports (often indicated by a lightning bolt logo), or other Thunderbolt peripheral device in the chain connected to the computer. Ports marked with the USB icon (USB symbol) are NOT compatible.



#### ThunderLok™ 3 Thunderbolt Connector Retainer Clip

This clip secures the Thunderbolt 3 connector plugged into one of the Sonnet card reader's Thunderbolt 3 ports to prevent accidental cable disconnection. This clip is compatible with Sonnet 0.5- and 0.7-meter Thunderbolt 3 cables, but not with Sonnet 1- or 2-meter Thunderbolt 3 cables (which require ThunderLok 3L, part number TB3-LOK2L).



## Preparing to Use the Sonnet Card Reader With a Windows Computer

1. Update your computer's BIOS to the latest version.
2. Confirm your computer is running, or update to, the latest Thunderbolt software.
3. Confirm your computer is running, or update to, Windows 10 (64-bit Edition Version 1809 or greater).

## Driver Information

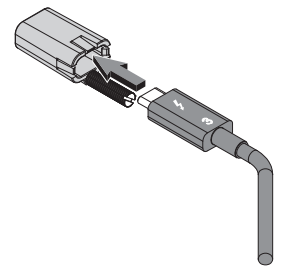
The drivers that enable the SF3 Series — CFexpress / XQD Pro Card Reader and CFexpress memory cards to work with your computer are installed as part of macOS and Windows 10. If you work with XQD memory cards, you must download software from Sonnet's website to enable support.

1. Go to [sonnettech.com/support/kb/kb.php](http://sonnettech.com/support/kb/kb.php), click the Pro Media Readers link, then click the SF3 Series - CFexpress / XQD Pro Card Reader link, and then click the Driver link.
2. Click the XQD driver for macOS or Windows link, read the instructions, and then click the Download Now button.
3. Install the driver, and then restart your computer.

4

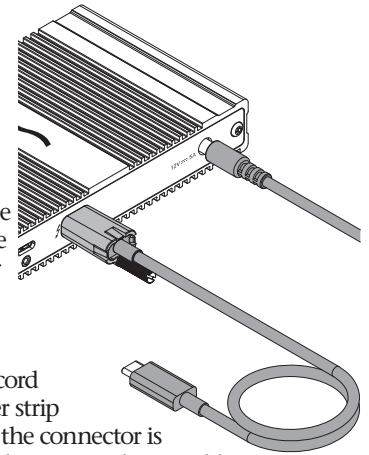


**Support Note:** To attach the ThunderLok clip to the cable, remove both from their packaging, and then insert the connector through the connector clip as shown. Note that the connector will pass all the way through the clip; when you connect the cable to the reader, the clip will secure the connector.



## Connecting the Reader

1. Connect the included Thunderbolt cable between either Thunderbolt port on the Sonnet card reader and a Thunderbolt port on your computer, or other Thunderbolt peripheral device in the chain connected to the computer. Secure the retainer clip to the reader if you attached it to the cable.
2. Connect the included power cord between a wall outlet or power strip and the power adapter; verify the connector is plugged in securely. Connect the power adapter cable to the card reader's 12V power socket.



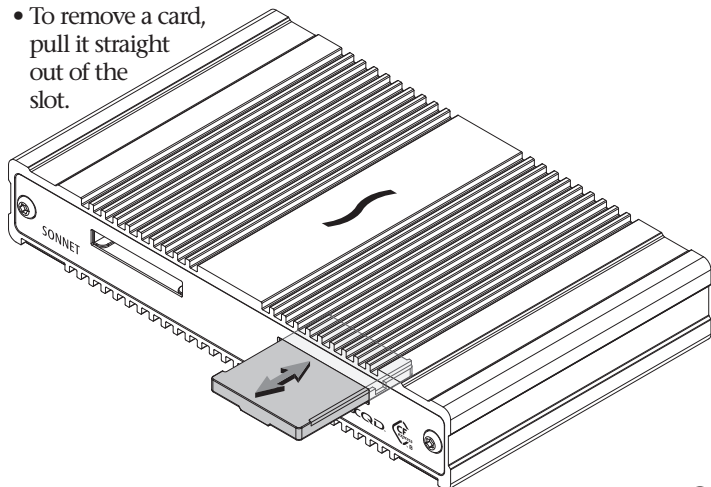
5

## Windows Users—Using the Card Reader For the First Time

An *Approve New Thunderbolt™ Devices* window will appear the first time you connect Sonnet card reader to your computer while it is running (or the first time your computer boots with the reader connected). From the drop-down menu select Always Connect, and then click OK.

## All Users—Inserting and Removing Cards

- Insert a card straight into the slot, parallel to the top cover of the reader, until it stops; *do not force a card into the slot*, as you may damage the card or the slot connector.
- Before removing a card, be sure to “eject” or “Safely Remove” its mounted volume; otherwise, data on the memory card may be corrupted.
- To remove a card, pull it straight out of the slot.



6

## Contacting Customer Service

The Sonnet Web site located at [www.sonnettech.com](http://www.sonnettech.com) has the most current support information and technical updates.

Email support requests generally receive the fastest responses, and are usually processed within a 24-hour period during normal business hours, excluding holidays. When you contact Customer Service, have the following information available so the customer service staff can better assist you:

Product name • Date and place of purchase • Computer model • OS version • A System Report (macOS) or a Microsoft System Information MSINFO32 (Windows) report, along with a description of the issue(s) you are encountering with your device

If further assistance is needed, please contact us:

**USA, Canada, or Mexico Customers**

Please contact **Sonnet Customer Service** at:

**E-mail:** [support@sonnettech.com](mailto:support@sonnettech.com)

**Tel:** 1-949-472-2772

(Monday–Friday, 9 a.m.–5 p.m. Pacific Time)

**For Customers Outside North America**

For support on this product, contact your reseller or local distributor.

## Visit Our Web Site

For the most current product information and online support files, visit the Sonnet web site at [www.sonnettech.com](http://www.sonnettech.com). Remember to register your product online at <https://registration.sonnettech.com> to be informed of future upgrades and product releases.

©2019 Sonnet Technologies, Inc. All rights reserved. Sonnet, the Sonnet logotype, SF3, and ThunderLok are trademarks of Sonnet Technologies, Inc. Mac, the Mac logo, and macOS are trademarks of Apple Inc., registered in the United States and other countries. Thunderbolt and the Thunderbolt logo are trademarks of Intel Corporation in the U.S. and/or other countries. Other product names are trademarks of their respective owners. Product specifications subject to change without notice. QS-SF3-2CFEX-E-A-100919